

THIS DRAWING IS UNPUBLISHED. RELEASED FOR PUBLICATION
 © COPYRIGHT BY TYCO ELECTRONICS CORPORATION. ALL RIGHTS RESERVED.

LOC	DIST	REVISIONS					
FT	0	P	LTR	DESCRIPTION	DATE	DWN	APVD
			0	RELEASED	8/6/03	SS	CR

NOTES:

MATERIAL:

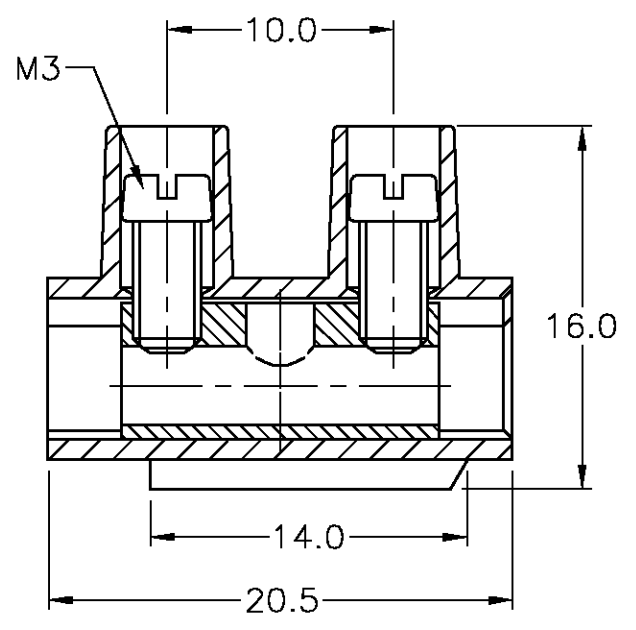
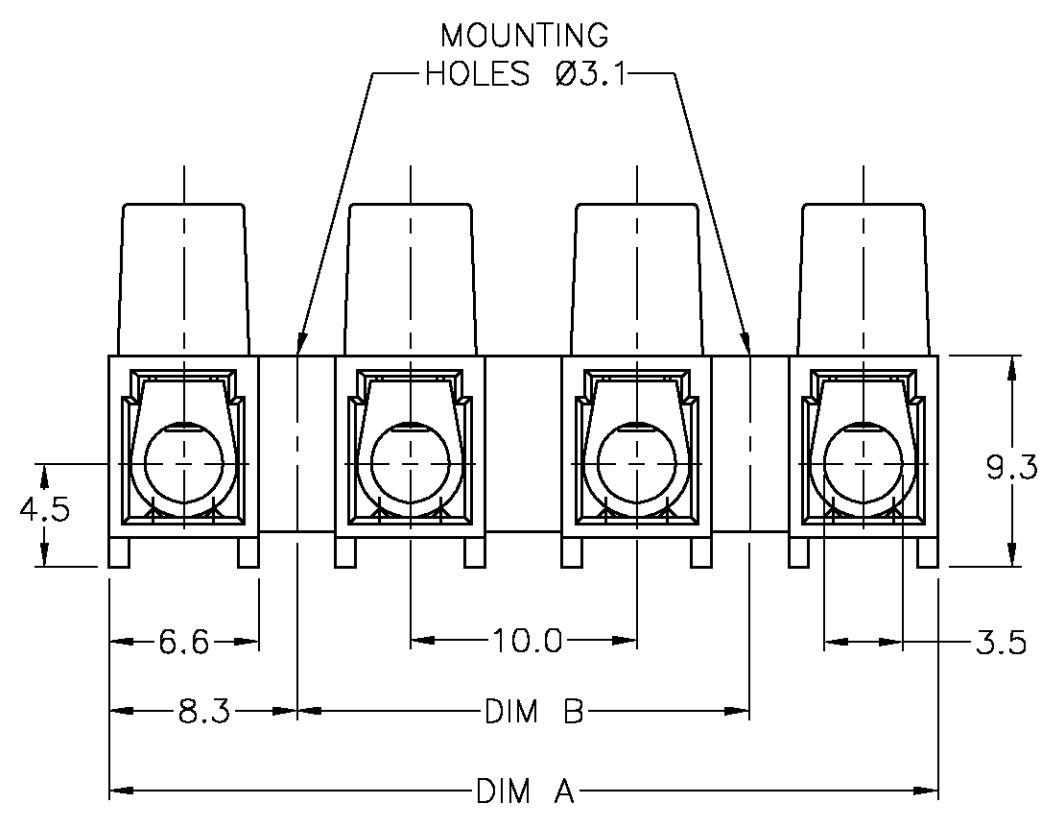
HOUSING: POLYAMIDE 6, UL94V-2, NATURAL (OFF WHITE)
 CONTACT: BRASS, TIN PLATED.
 SCREW: M3, STEEL, ZINC W/ CHROMATE PLATED.

ELECTRICAL:

CURRENT RATING: 30A.
 OPERATING VOLTAGE: 250V.
 WIRE RANGE: 10-22 AWG.
 DIELECTRIC WITHSTAND: 3500V.

ENVIRONMENT:

CONTINUOUS WORKING TEMP.: -35°C TO +100°C



100	116.6	12	TSB500 1231	2-1437388-3
90	106.6	11	TSB500 1131	1546304-1
80	96.6	10	TSB500 1031	2-1437388-1
70	86.6	9	TSB500 0931	1-1437388-9
60	76.6	8	TSB500 0831	1-1437388-7
50	66.6	7	TSB500 0731	-
40	56.6	6	TSB500 0631	1-1437388-4
30	46.6	5	TSB500 0531	-
20	36.6	4	TSB500 0431	1-1437388-0
10	26.6	3	TSB500 0331	1437388-8
-	16.6	2	TSB500 0213	1437388-6
-	6.6	1	TSB500 0131	-
DIM B	DIM A	NO. OF POS.	CATALOG NUMBER	TYCO PART NUMBER

THIS DRAWING IS A CONTROLLED DOCUMENT.		DWN	S SCHLEGEL	8/5/03	BUCHANAN Tyco Electronics Corporation Harrisburg, PA 17105-3608		
DIMENSIONS: MM		CHK	C RICHARD	8/6/03			
TOLERANCES UNLESS OTHERWISE SPECIFIED:		APVD	C RICHARD	8/6/03	NAME EUROPA TERMINAL BLOCK, 10.0mm PITCH, MOUNTING HOLES Ø 3.1		
0 PLC ± -		PRODUCT SPEC		APPLICATION SPEC		RESTRICTED TO	
1 PLC ± 0.3		-		-		SIZE	A3
2 PLC ± 0.25		-		-		CAGE CODE	00779
3 PLC ± -		-		-		DRAWING NO	C-1437388-6
4 PLC ± -		-		-		-	
ANGLES ± 2'		-		-		-	
MATERIAL		FINISH		WEIGHT		-	
-		-		-		-	
CUSTOMER DRAWING				SCALE	NTS	SHEET	1 OF 1
				REV	0		